

# SHELVING ASSEMBLY & INSTALLATION

## INSTRUCTIONS





## THANK YOU FOR PURCHASING RAECO LIBRARY SHELVING

INDEX	PAGE
<b>TOOL CHECKLIST</b>	<u><a href="#">4</a></u>
<b>LINEA SHELVING</b>	<u><a href="#">5</a></u>
STATIC SHELVING	<u><a href="#">5</a></u>
SOLID DUSTCOVERS	<u><a href="#">9</a></u>
INFILL PANELS	<u><a href="#">11</a></u>
BAYEND PANELS	<u><a href="#">11</a></u>
SHELF ASSEMBLY	<u><a href="#">13</a></u>
LINEA SHELF SPACING	<u><a href="#">16</a></u>
MOBILE SHELVING	<u><a href="#">18</a></u>
<b>WALL STRIPPING</b>	<u><a href="#">22</a></u>
<b>EXPRESSIONS SHELVING</b>	<u><a href="#">28</a></u>
EXPRESSIONS SHELF SPACING	<u><a href="#">30</a></u>

Every effort has been made to ensure that the product you purchased is of high quality and inclusive of all hardware. If you require assistance with assembly or need additional hardware, please contact us via email: [support@raeco.com.au](mailto:support@raeco.com.au) or phone **1300 727 231**



CORDLESS DRILL



SCREWDRIVER



RUBBER Mallet



M8 WRENCH



TAPE MEASURE

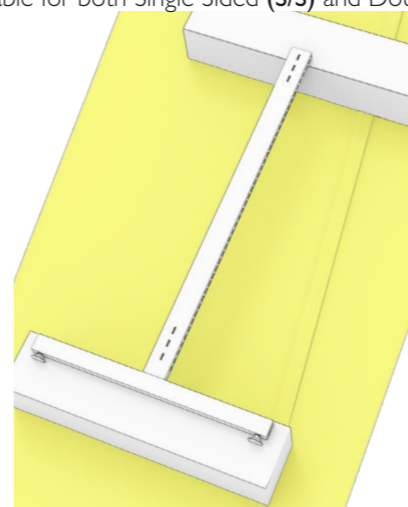
## REQUIRED TOOLS

- CORDLESS DRILL
- MILD STEEL SUITABLE DRILL BITS (5MM FOR DRILLING & 10MM+ CHAMFERING)
- MASONRY DRILL BITS (6.5MM FOR FLOATING SHELVING)
- TIMBER DRILL BITS (3.5MM FOR FLOATING SHELVING)
- DRIVER SET
- SOCKET SET OR WRENCH SET (MUST HAVE M8)
- SCREW DRIVERS (PHILLIPS & FLAT)
- RUBBER Mallet (BLACK OR WHITE NON-MARKING)
- PERMANENT MARKERS (GOOD FOR TOUCHING UP POWDER COAT MARKS)
- WHITEBOARD OR TEXTA (IDEAL FOR MARKING HOLES ON POSTS)
- TAPE MEASURE
- SPIRIT LEVEL (FOR FLOATING SHELVING INSTALLATION)

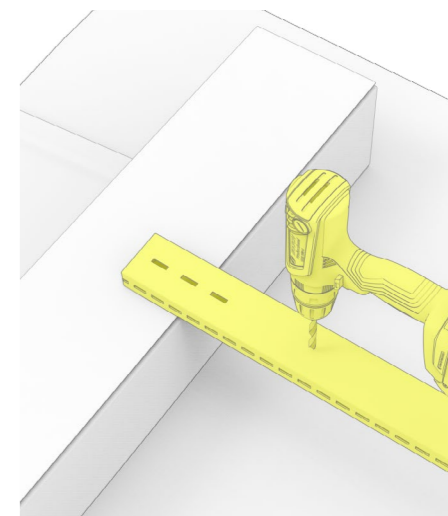
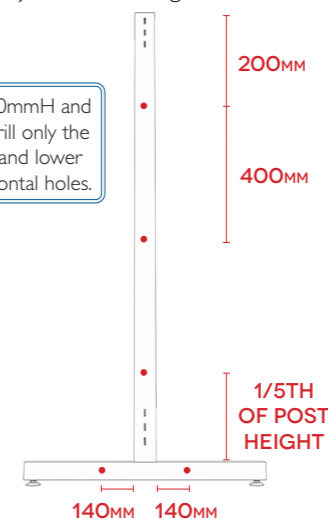
## GOOD TO HAVE TOOLS

- KNEE PADS
- HACKSAW
- G-CLAMP WITH SOFT ENDS
- ASSORTED RAECO HARDWARE
- HIGH VIS VEST
- DUCT TAPE
- GARBAGE BAGS
- ANGLE GRINDER
- EAR PROTECTION
- DUST PAN & BROOM
- BAG OF RAGS / SURFACE SPRAY
- STANLEY KNIFE / BOX CUTTER

Applicable for both Single Sided (S/S) and Double Sided (D/S) Linea Shelving



Posts 1100mmH and shorter drill only the top two and lower two horizontal holes.



1

For Static Linea shelving with Bay End Panels begin here, if not move to step 3.

Arrange an elevated platform for drilling with cardboard boxes. This helps to keep posts **stable** when drilling holes and prevents damage to the floor. Lay packing wrap underneath to catch metal swarf.

2



The Bay End Panels (BEPs) attach via (5) 45mmL wood screws and are installed at the **end** of installation. Mark the above dimensions with a whiteboard marker.

Mark amount of posts that correspond with purchased amount of BEPs. If using slatwall BEPs use **caution** to ensure screws do not **penetrate slat** extrusions.

2A



A 6mm diameter bit is used to drill holes through the post.

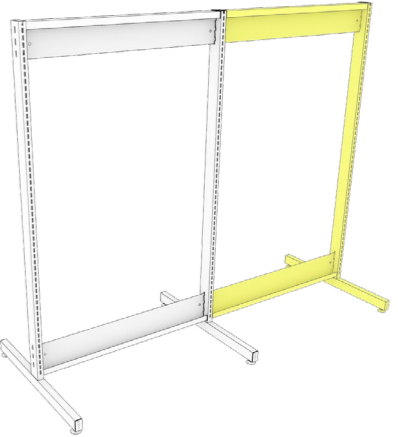
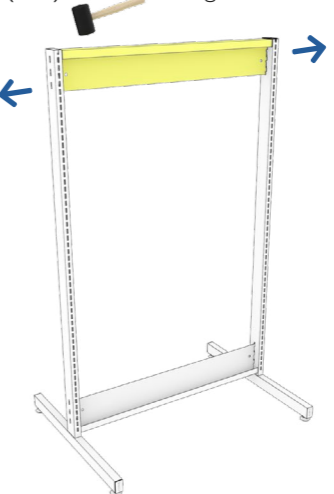
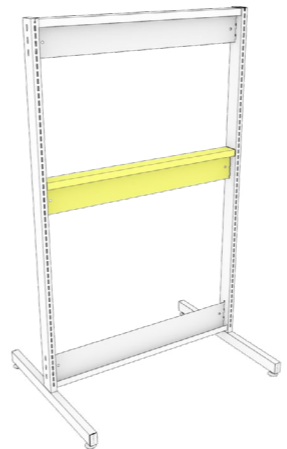
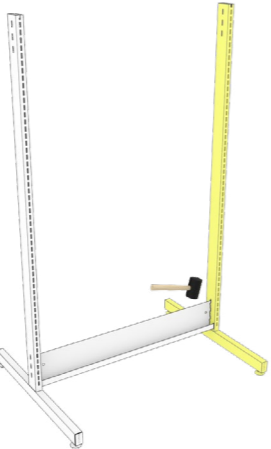
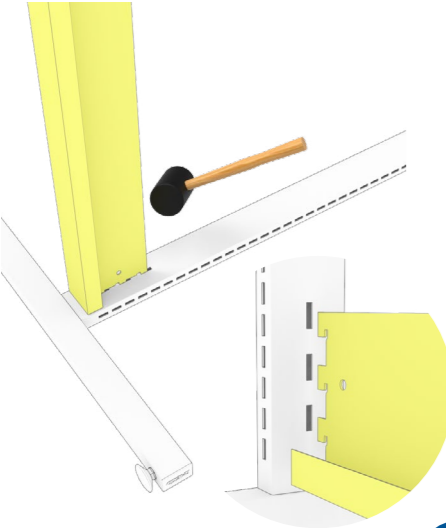
With post laid flat put your body **weight** into the drill - no pilot hole required.


Use a 10mm bit or larger to chamfer holes slightly and remove sharp edges.




# LINEA | STATIC SHELVING

Applicable for both Single Sided (S/S) and Double Sided (D/S) Linea Shelving




**3**  Lay the post on a flat surface. Avoid sharp material that may scratch the powdercoated steel.


Insert lugs from the **bottom joiner** into the corresponding slots in the post. With a rubber mallet firmly bang the top of the joiner to fix it in place.


**4**  Stand the next post upright and insert the joiner's lugs into the matching slots.


Keep a firm grip on upright post and ensure head is held away from post's reach should it fall. Using the mallet **firmly** bang the top of the joiner to fix it in place.

**5**  If making a multiple bay configuration repeat step 3 then bring newly fixed joiner and post to the assembled unit. Insert lugs into punched holes.

With one hand **raise** the post slightly, squaring joiner up with post and bang into position.

**TIP**  Shelving systems **2000mmH** and greater require an additional **center joiner** which should be installed at the same time as the bottom joiner (**step 3**)

**6**  Insert the **top joiner** lugs into the joiner slots at the top of the first post. **Pull** the opposite post outward, until the lugs of the top joiner slot into place. Keep hand away from lugs as there is a risk of pinching. Using a mallet, firmly bang the top of the joiner on both ends to fix in place. Ensure joiner is **flush** with top of post.

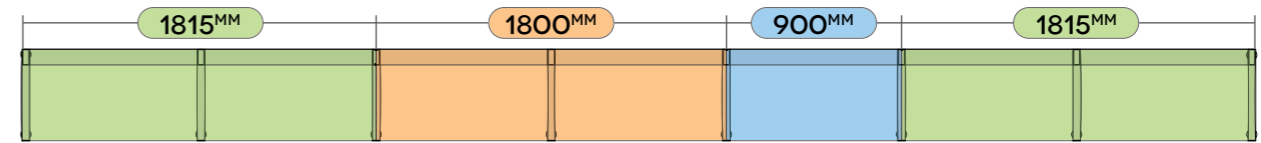
**7**  Repeat steps (3-6) for the desired number of bays 'daisy-chaining' them together.

If using Dustcovers see **step 8**.  
If using Infill Panels see **step 9**.  
If using Bay End Panels see **step 10**.  
If not using accessories see **step 11**.

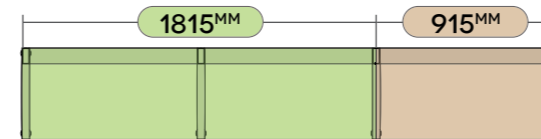


# LINEA | SOLID DUSTCOVERS – OPTIONAL

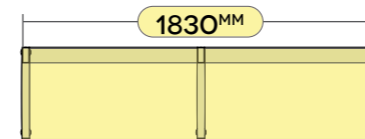
## 1x7 BAY | 4 DUST COVER PANELS



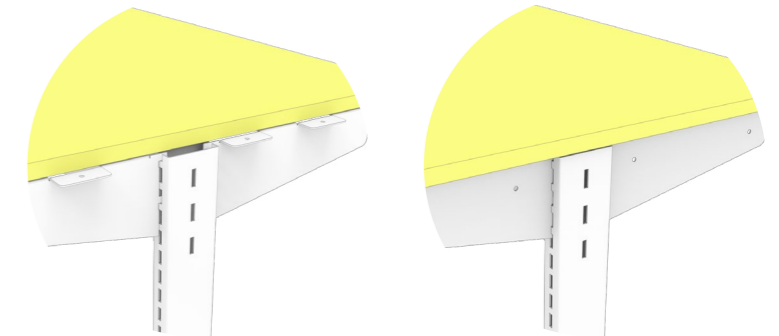
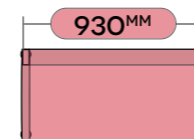
## 1x3 BAY | 2 DUST COVER PANELS



## 1x2 BAY | 1 DUST COVER PANEL



## 1x1 BAY | 1 DUST COVER PANEL

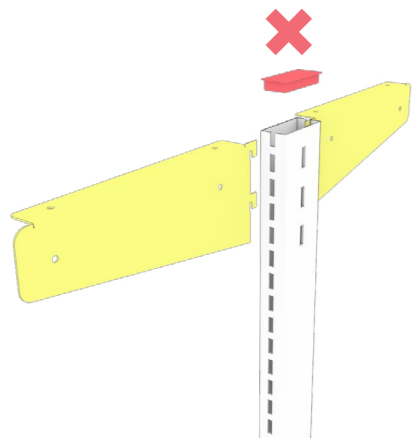


INTERMEDIATE  
BRACKET

END  
BRACKET

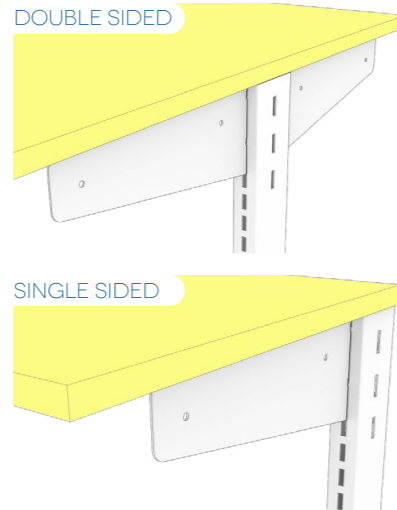
## SOLID DUSTCOVER SIZES

Depending on your shelving configuration, there are **six** different sizes of Raeco standard timber laminate solid dustcovers. Panels sizes that end with either **(15 or 30mm)** increments are designed to meet flush with a post and are used with **end brackets**. Whereas panels in increments of **900mm** match the post **centre-to-centre** distance and meet up with **intermediate** brackets.



**8**

Start by removing and discarding the plastic plugs from the top of the posts. Install the dustcover brackets in the top slots of the post, remembering that end brackets are supplied in sets with a **Left & Right** side version.



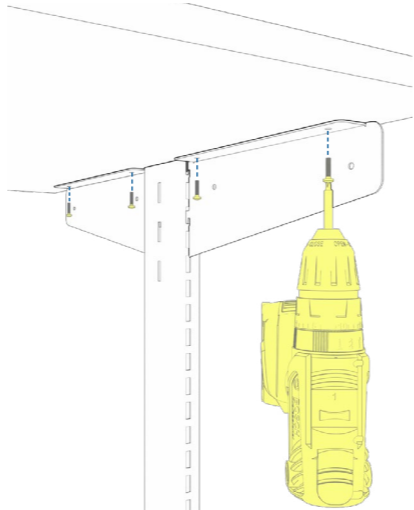
**8A**

Place the timber dustcover on top of the brackets, aligning the edge of the dustcover flush with the Post. For single sided installations, align the rear edge of the dustcover **flush** with the rear face of the post. For double sided configurations, ensure the panel is aligned centrally.

**8B**

Fix the dustcovers in place using the self tapping **8G x 16mm** screws provided. (2) per bracket end bracket, in the provided hole locations. Repeat steps 1-3 for opposite sides and adjacent dustcovers.

8G x 16mm re-order code:  
Set of (6) **10013**    Set of (4) **10014**



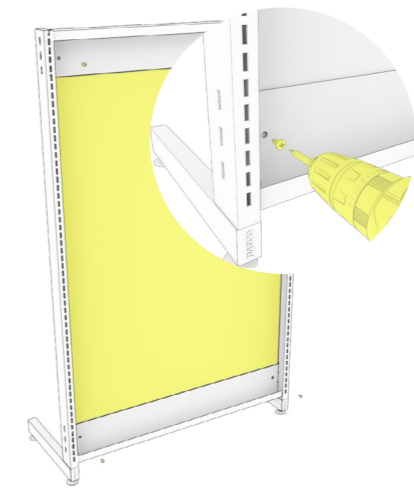
Applicable for both Single Sided (S/S) and Double Sided (D/S) Linea Shelving



**9**

Insert the infill panel on an angle, into the top joiner and slot it down into the bottom joiner. For single sided units ensure it is inserted on the shelving side of the bay.

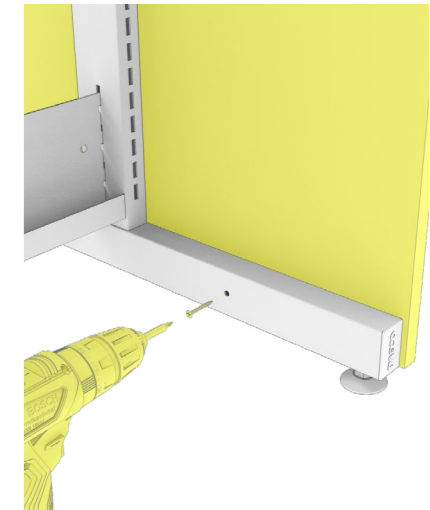
If infill panels are being installed into existing shelving, **remove** all shelves to access both sides of the shelving.



**9A**

To secure the infill panel, from the back of the bay use a cordless drill and (4) self tapping **8G x 16mm** screws in the holes provided through both the top and bottom joiner.

8G x 16mm re-order code: **93000316**



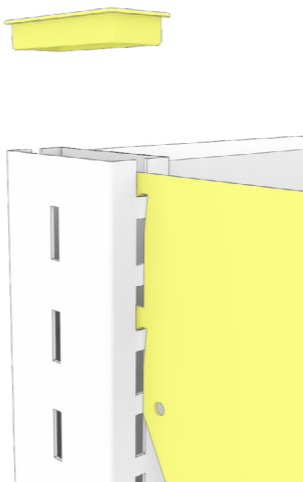
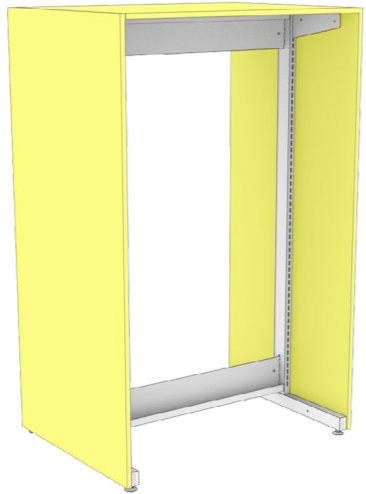
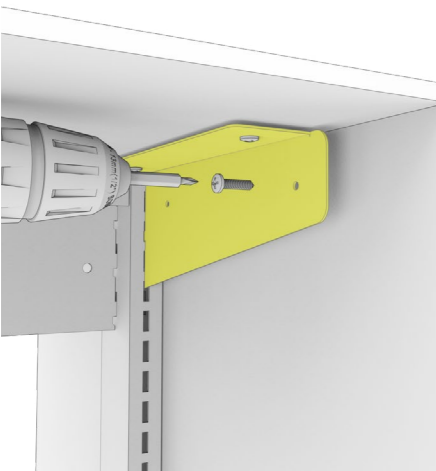
**10**

Align the BEP to the top of the post (or dustcover if dustcovers are fitted). Using either clamps or a helping hand, hold the panel in place and from the internal side of the BEP drive (5) self tapping **8G x 45mm** screws through the previously drilled holes.

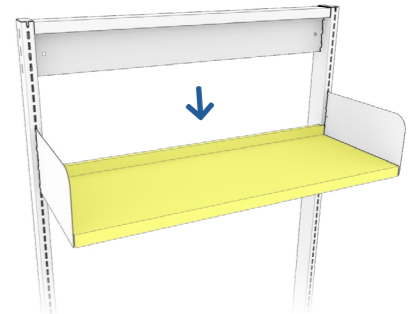
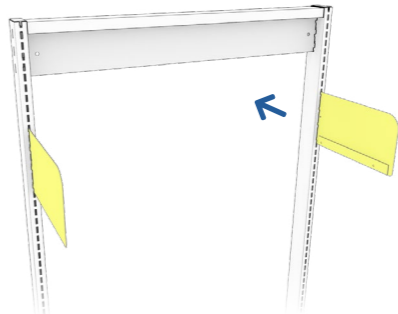
8G x 45mm re-order code: Set of (5) **10011v**



# LINEA | SHELF ASSEMBLY



## LINEA FLAT SHELF ASSEMBLY



### TIP

When installing dust covers with bay end panels a small gap may appear.  
To make a **flush** finish pull the BEP inwards by inserting an 8G x 16mm screw through the dust cover mount.

### 11

Once the shelving units have dust covers, bay end panels, and infill panels are attached, insert your shelving as needed to complement your collection.  
Further **detail** over leaf.

### TIP

When installing display shelves at the top, remove the plastic post cap, insert the shelf with the top lug aligned with the top post slot and **reinsert** the cover cap.

### 1

Standard Linea flat shelves are supported on either end by **end brackets** or **intermediate (middle) brackets** depending on the configuration.

### 2

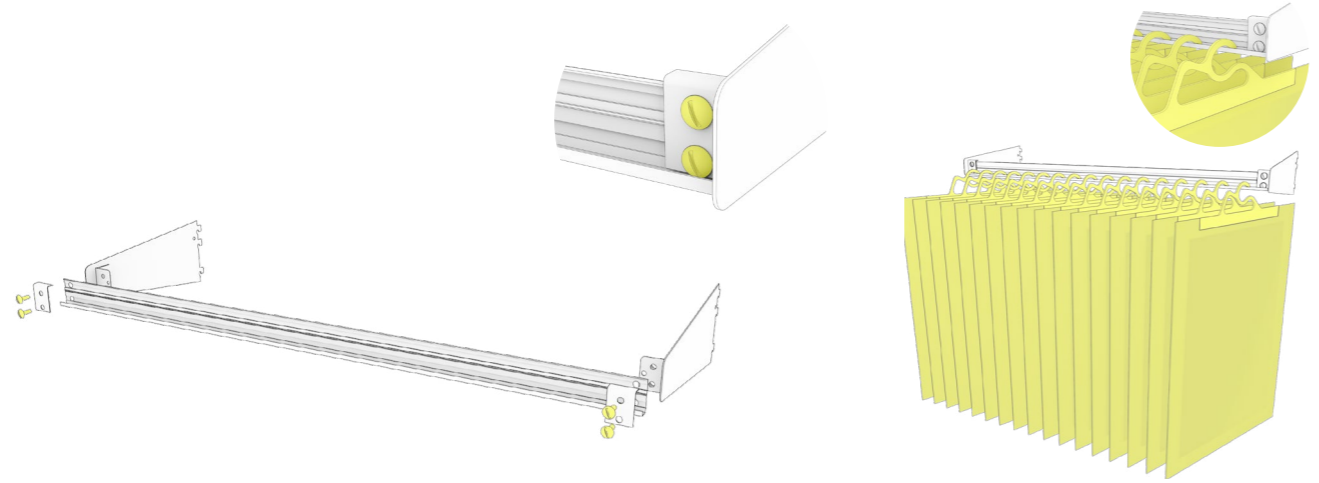
Insert the brackets at the desired height into the shelving post holes, making sure that the brackets are level with each other.  
*\*Raeco recommend inserting the bottom shelves first and working your way up to assist in evenly spacing the shelves.*

### 3

Position the flat shelf above them and press it down in place. The sides of the shelf will sit firmly in the slot on each adjacent bracket. Repeat steps **1-3** for additional shelves.



### HANGUP RAIL ASSEMBLY



1

Hangup rail kits consist of three main parts. The rail, the brackets (L/R) and the rail clamps as pictured above.

2



Align the components as shown above and then fasten together with the provided **16mm M6 bolts** (two per side).

3

Place hang up bags on the rail lip, a hang up rail can hold a maximum of **45 bags**.



GLENROY WHEATSHEAF | VIC



# LINEA | SHELF SPACING

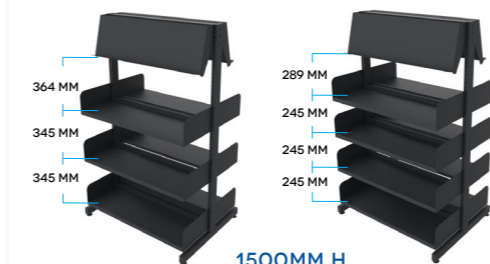
## RECOMMENDED SHELF SPACING SHELF DEPTH

FICTION	NONFICTION	AV (DVDs)	FICTION	NONFICTION	AV (DVDs)	DEEP SHELF
200MM MINIMUM - SMALL	250MM MINIMUM - SMALL	230MM	200MM	250MM	200MM	300MM
250MM MINIMUM - LARGE	300MM MINIMUM - LARGE					



WHEELS ADD AN ADDITIONAL 125MM TO THE OVERALL UNIT HEIGHT. MAXIMUM MOBILE POST 1600MM H.

OUR GUIDES ARE BASED ON RECOMMENDED CONFIGURATIONS WITH EVENLY SPACED FLAT SHELVES AND ONE DISPLAY SHELF ON TOP. SPACES SHOWN INDICATE CLEARANCE IN CONFIGURATION. MEASUREMENTS SHOWN INDICATE MINIMAL SPACING.



3 FLAT SHELVES AND 1 DISPLAY

1500MM H

4 FLAT SHELVES AND 1 DISPLAY

FAVoured BY PUBLIC LIBRARIES, SECONDARY SCHOOLS AND JUNIOR SCHOOLS WITH SPACE CONSTRAINTS.



3 FLAT SHELVES AND 1 DISPLAY

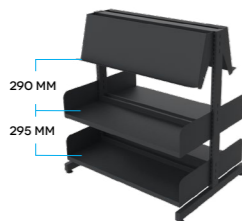
1600MM H

4 FLAT SHELVES AND 1 DISPLAY

Use a bracket to help level shelves - they're about 6 lugs high!



900MM H  
1 FLAT SHELF AND 1 DISPLAY



1000MM H  
2 FLAT SHELVES AND 1 DISPLAY



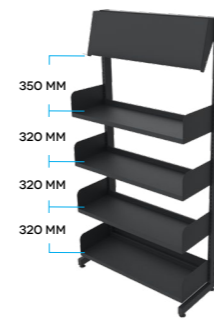
2 FLAT SHELVES AND 1 DISPLAY

1200MM H

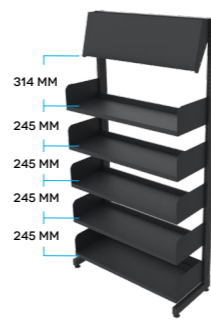


3 FLAT SHELVES

POPULAR CHOICE FOR JUNIOR SCHOOLS AND CHILDREN'S SPACES.

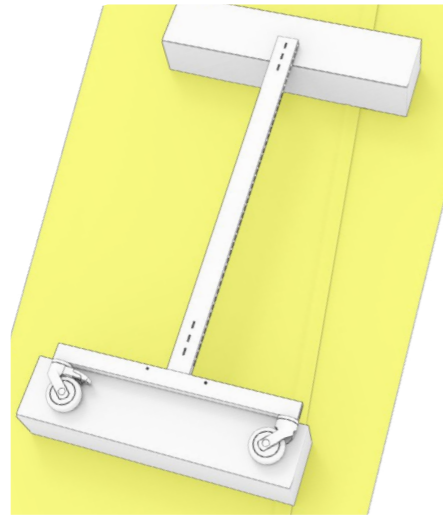


1800MM H

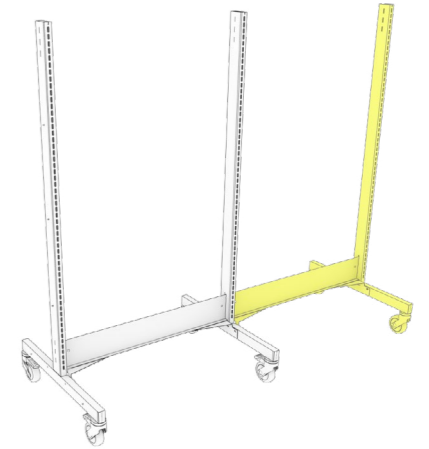
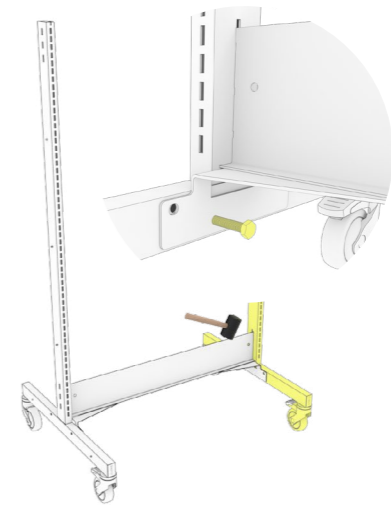
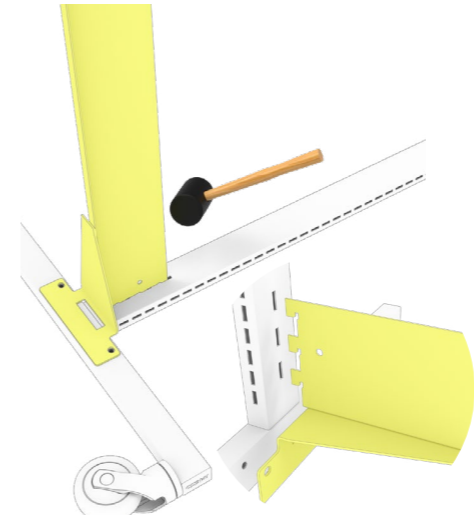
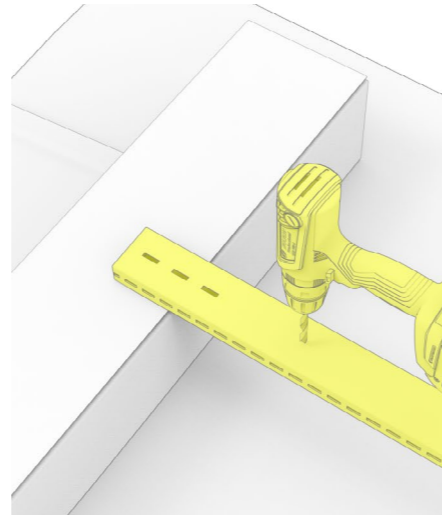
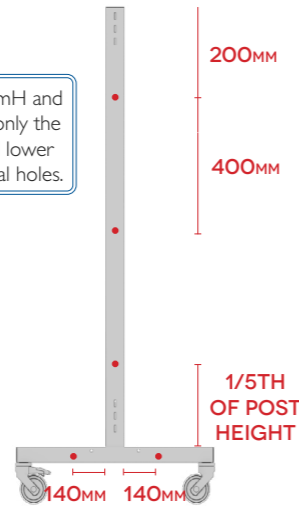


### ADDITIONAL HEIGHTS

UNIT HEIGHT	SHELVES	DISPLAY SHELF SPACING	FLAT SHELF SPACING
1400MM	4	314	320
2000MM	4	414MM	370MM
	5	314MM	295MM
2100MM	4	439MM	395MM
	5	314MM	350MM
2300MM	4	489MM	475MM
	5	314MM	370MM



Posts 1100mmH and shorter drill only the top two and lower two horizontal holes.



**1**

For Mobile Linea shelving with Bay End Panels begin here, if not move to step 3.

Arrange an elevated platform for drilling with cardboard boxes. This helps to keep posts **stable** when drilling holes and prevents damage to the floor. Lay packing wrap underneath to catch metal swarf.

**2**



The Bay End Panels (BEPs) attach via (5) 45mmL wood screws and are installed at the **end** of installation. Mark the above dimensions with a whiteboard marker.

Mark amount of posts that correspond with purchased amount of BEPs. If using slatwall BEPs use **caution** to ensure screws do not **penetrate slat** extrusions.

**2A**



A 6mm Diameter drill bit is used to make holes through the post.

With post laid flat put your body **weight** into the drill - no pilot bit required.

Use a 10mm bit or larger to chamfer holes slightly and remove sharp edges.

**3**



Lock one wheel to **prevent** movement. Lay the post on a flat surface. Avoid sharp material that may scratch the powdercoated steel.

Insert lugs from the **bottom joiner** into the corresponding slots in the post. With a rubber mallet firmly bang the top of the joiner to fix it in place.

**4**



Take the next post and lock one wheel. Stand the post upright, keep a firm grip on it and ensure head is held away from post's reach should it fall. Insert lugs into matching slots.

Insert (2) M8 hex head bolts into both ends of the joiner. Should bolt holes not align instantly tap the joiner **diagonally** from either side to realign.

**5**



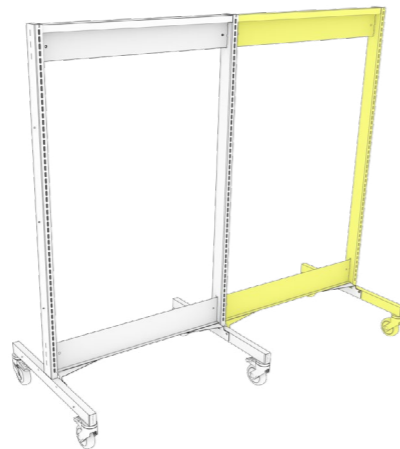
If making a double bay configuration repeat step 3 then bring newly fixed joiner and post to the assembled unit. Insert lugs into punched holes.

With one hand **raise** the wheels slightly, squaring joiner up with post and bang into position.



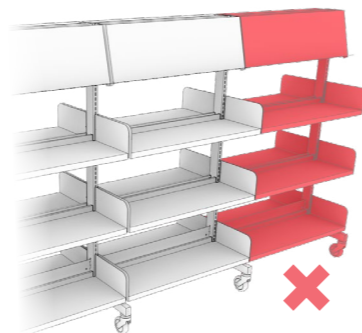
**6** 

Insert the **top joiner** lugs into the joiner slots at the top of the first post. **Pull** the opposite post outward, until the lugs of the top joiner slot into place. Keep hand away from lugs as there is a risk of pinching. Using a mallet firmly bang the top of the joiner on both ends to fix in place. Ensure joiner is **flush** with top of post.



**7** 

Repeat steps (3-6) to assemble a double bay shelving unit.  
If using Dustcovers see **step 8** (page 10).  
If using Infill Panels see **step 9** (page 11).  
If using Bay End Panels see **step 10** (page 11).  
If not using accessories see **page 12**.



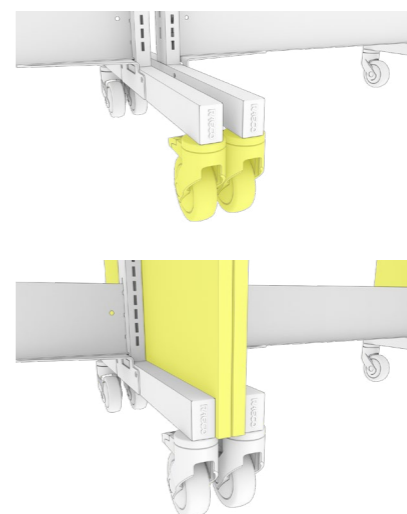
**TIP** 

Raeco does not recommend connected Linea mobile shelving runs any longer than **two** bays as it becomes too heavy to move and applies excessive strain on the parts during relocation.



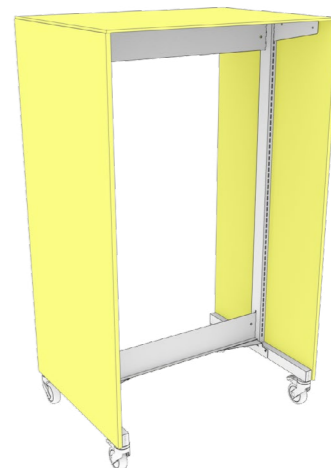
**TIP**

When relocating mobile shelving bays. Use a Raeco tow handle that hooks onto the bottom of the shelving post. This ensures an evenly distributed pulling force, reducing any unnecessary strain on components.



**TIP**

Raeco does not recommend placing mobile Linea shelving units side by side without BEPs. The addition of BEPs create a solid and flush divider. Without these panels the castor wheel bodies rub against one another and leave an unsightly gap.



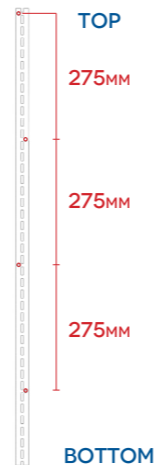
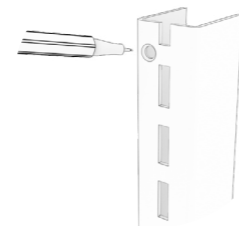
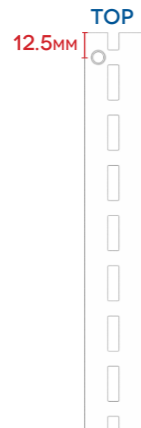
**END**

Once the shelving units have optional dust covers, bay end panels, and or infill panels attached insert your shelving as needed to complement your collection.  
See **page 12** for shelving installation.

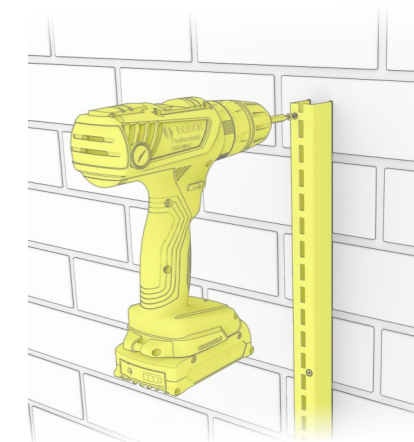
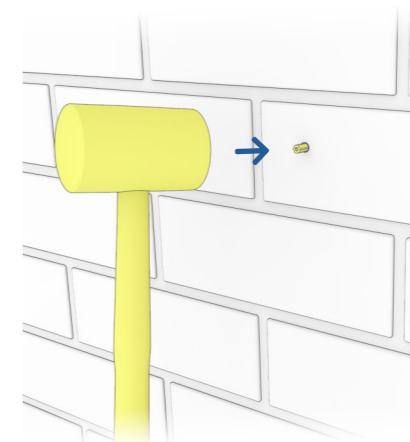
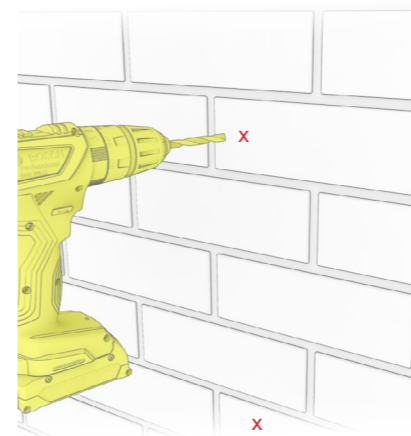
# WALL STRIPPING | FLOATING SHELVING



## ALIGNING WALL STRIPPING



## MOUNTING TO BRICK & CEMENT WALLS



1



Start by marking out the desired location and height [X] of the wall stripping, ensuring the post centres are **900mm** apart.

2

Wall stripping posts have a **TOP** and **BOTTOM** orientation. It is essential that all posts are installed in the correct orientation to maintain shelf alignment. To identify the **TOP**, find the mounting hole that is **12.5mm** from the end of the post.

3



Using a post as a guide, mark the hole locations on the wall. The first hole should be **12.5mm** down from the **TOP** of the post, with subsequent holes spaced **275mm** apart on alternating sides of the post.

1



Using an impact drill with hammer setting and a **6.5mm** masonry bit, drill the previously marked holes **50mm** into the wall.

*\*double check all measurements and alignments prior to drilling.*

2



Using a mallet gently tap in the supplied wall anchors into the drilled holes.

Green Wall Anchor re-order code: **82139 ea**

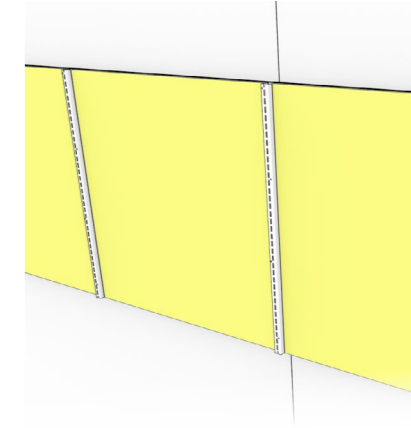
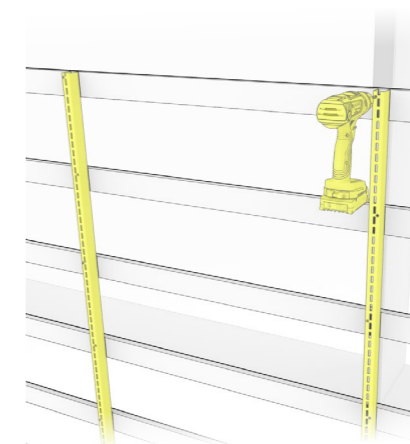
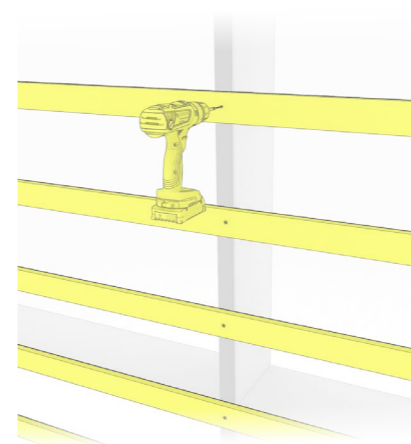
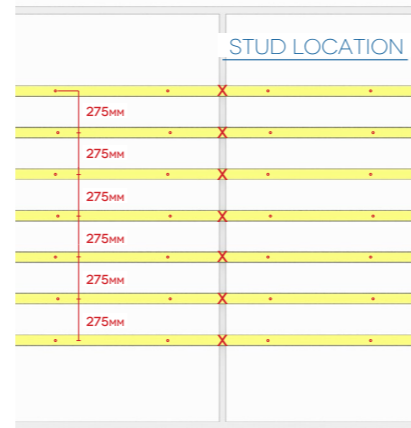
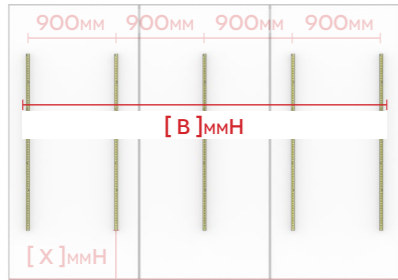
3



Align the posts and fasten to the wall with the provided **10G** countersunk screws.

10G x 75mm re-order code: **Set of (7) 10017**

## MOUNTING TO PLASTER & STUDDED WALLS



1



When mounting floating shelving to plaster walls, additional battens are required to provide a secure mounting surface. Repeat steps 1-3 on (pg. 16) additionally taking measurements of the length of the run of shelving for the required battens [B].

2



Pine battens are required for all orders mounted to plasterboard. Pine battens and fixings will need to be sourced by the customer or Raeco certified Installer, at an additional cost.

*Raeco recommend:  
70mm x 20mm x 3660mm Pine Battens.  
10G x 75mm - Timber Screws*

3

Using a stud finder, mark the stud locations on the wall, these will be used to secure the battens along the length of the wall. Starting at the top mounting hole, align and mark the battens horizontal position. Repeat this step every 275mm going down until the bottom post mounting hole.

4



Using a cordless drill fasten the battens to the previously marked stud locations in as many points as possible

*\*Number varies depending on stud spacing and length of shelving run.*

5



Align the posts and fasten to the pine battens with the provided 10G countersunk screws.

*10G x 75mm re-order code:  
Set of (7) 10017*

TIP

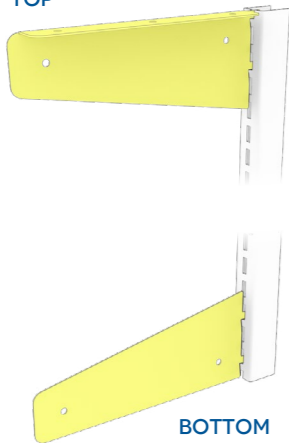
Raeco recommends installation of infill panels to conceal the Pine Battens.

Alternatively the battens can be painted in a discrete colour prior to installation.

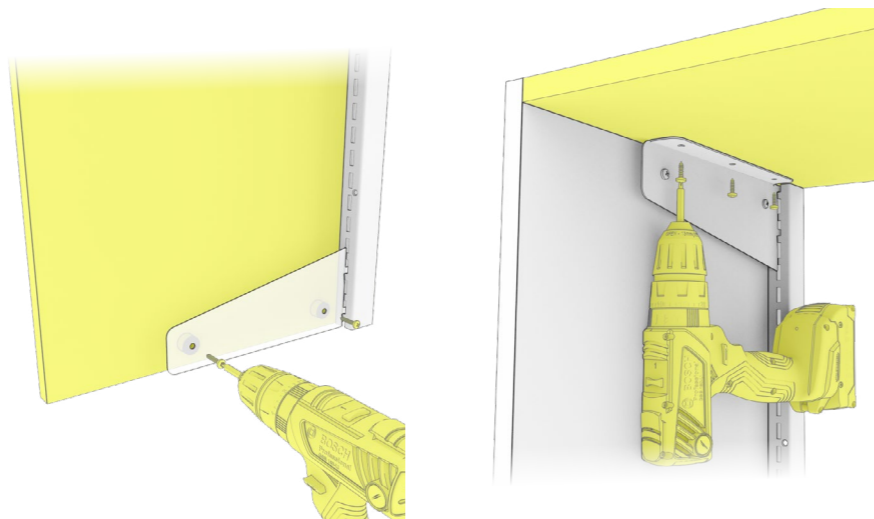
*\*Raeco does not provide painted battens nor paint battens on site - painting responsibilities and any and all inherent risk lies with the customer.*

# WALLSTRIPPING | BEPS & DUST COVERS

TOP



BOTTOM



1

Attach the top bracket **711** or (**713** for dustcovers) in the top slot of the outer most wall strip on either end of the shelving run. Repeat this with the bottom bracket (**712**) ensuring it is in the lowest shelving lug.

2



Align the BEP so that the bottom is level with the bottom of the post, and the rear edge is touching the wall. Screw the **8G x 25mm** screws through the holes in both brackets, and through the **Nylon Spacers**, into the bayend panel.

*\*This step may require additional help or clamps to hold the BEP in position while assembling.*

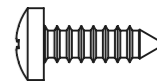
3



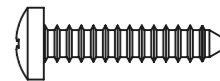
Place the dustcover on top of the **713** top bracket, ensuring it's flush at the front with the bayend panel. Fasten in place with the **8G x 16mm** screws provided.



8G x 16MM

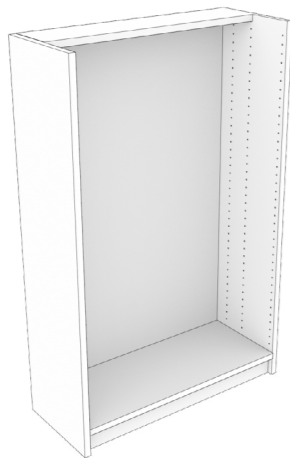


8G x 25MM



# EXPRESSIONS | SHELF ASSEMBLY

## EXPRESSIONS FLAT SHELF CONFIGURATION



1

Expressions shelving bodies have industry standard (**System 32**) pin support spacing pre-drilled into each unit, allowing full shelf height customisation to suit your collection. Expressions Metal and Timber shelves are both reversible, allowing for either a display or flat shelf configuration.

2

For **Flat Shelf** configurations, use the two outer pin holes. Insert both shelving pins at the same level.

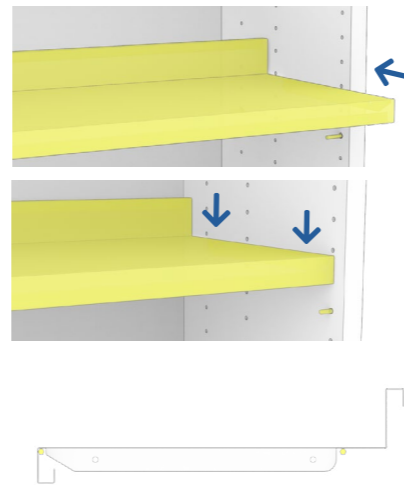
*Expressions Shelf Pin re-order code:  
5mm x 24mm (ea.) 85441*



3

Insert the shelf by sliding it along the pins until it drops into place. The pins will secure the shelf in place via the folded tab on either side of the shelf. Repeat steps 1-3 as required.

*\*Note: the holes in the side of the expressions shelves are for powdercoating and not intended for the pins.*



## EXPRESSIONS DISPLAY SHELF CONFIGURATION



4

To **reverse** a shelf into a display shelf, simply take out the flat shelf and move the back pin to the middle column of pins. Count vertically 8 pin holes up and insert the rear pin.

5

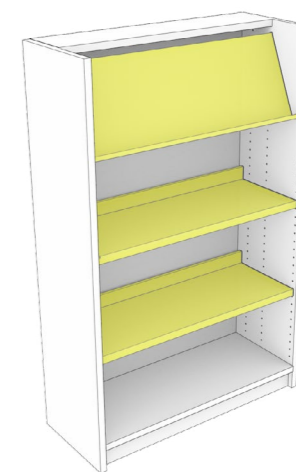
By reversing the shelf, what was originally the rear lip of the flat shelf, now becomes the front lip to support the collection on display. Align the front pin with its corresponding slot and then press backwards into position with the rear pin.



6

With the flexibility of reversible shelves, you have complete control over the merchandising of your collection, utilising one shelf enables either spine out or face out displays.

*\*Above configuration features 3x (89000) reversible shelves, one in display configuration two in flat configuration.*



# EXPRESSIONS | SHELF SPACING

## RECOMMENDED SHELF SPACING

FICTION	NONFICTION	AV (DVDS)
200MM MINIMUM — SMALL FICTION	250MM MINIMUM — SMALL FICTION	230MM
250MM MINIMUM — LARGE FICTION	300MM MINIMUM — LARGE NONFICTION	

## SHELF DEPTH

FICTION	NONFICTION	AV (DVDS)	DEEP SHELF
200MM	250MM	200MM	300MM

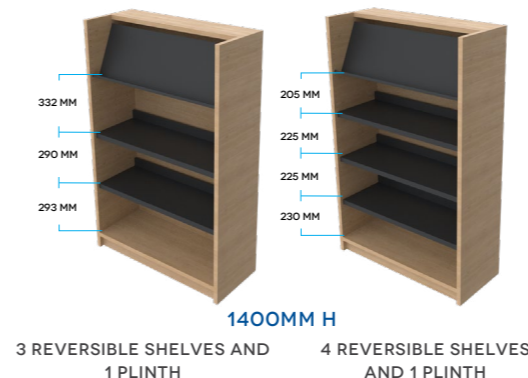
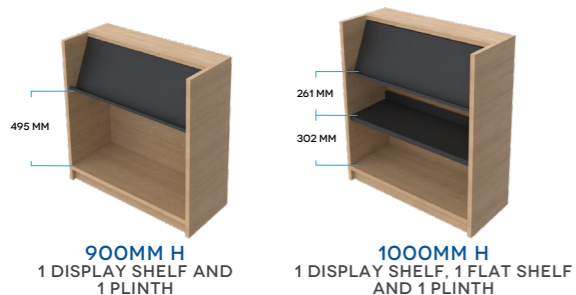
## ADDITIONAL HEIGHTS

UNIT HEIGHT	SHELVES	DISPLAY SHELF SPACING	FLAT SHELF SPACING
1700MM	4	426MM	390MM
	5	330MM	291MM
1900MM	4	456MM	485MM
	5	362MM	325MM
2000MM	4	488MM	515MM
	5	330MM	386MM

OUR GUIDES ARE BASED ON RECOMMENDED CONFIGURATIONS WITH EVENLY SPACED FLAT SHELVES AND ONE DISPLAY SHELF ON TOP. MEASUREMENTS SHOWN INDICATE MINIMAL SPACING.



WHEELS ADD AN ADDITIONAL 125MM TO THE OVERALL UNIT HEIGHT. MAXIMUM MOBILE HEIGHT 1600MM.







CEI PTY Limited Trading as Raeco®  
ABN 72 006 501 926

75 Rushdale Street  
Knoxfield VIC 3180  
1300 727 231  
support@raeco.com.au  
www.raeco.com.au

Version 2022