

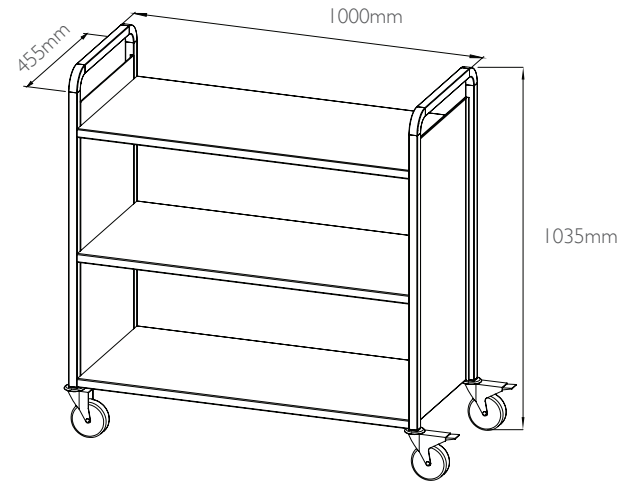


STANDARD TROLLEY FLAT SHELVES

42012

Full sized steel trolley for returns.
Heavy duty wheels, 2 lockable.

*Transforms into a portable display unit.
See Display Trolley Kit



STANDARD TROLLEY SLANTED SHELVES

42011

Full sized steel trolley for returns. Upsloping
shelves for easier book identification.
Heavy duty wheels, 2 lockable.

