

# EXTRA STORAGE



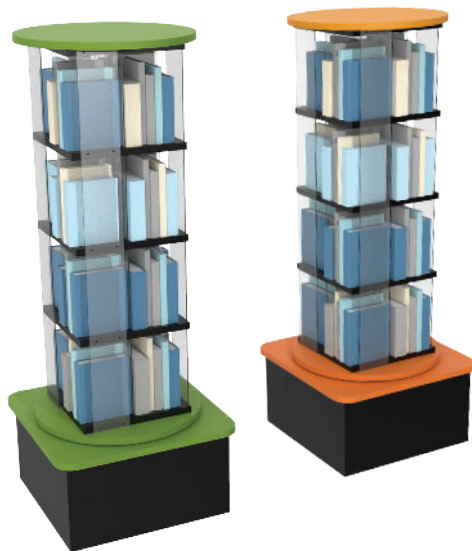
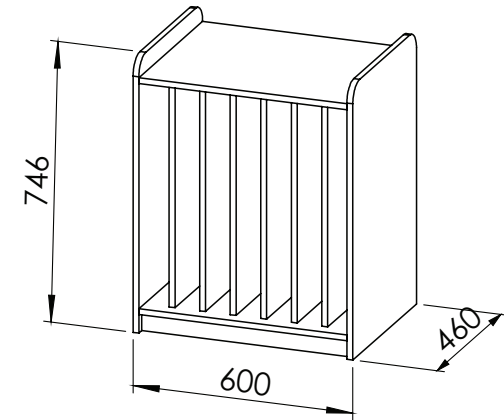
FINISHES  
[CLICK HERE](#)



## BIG BOOK STORAGE

**10538**

7 storage compartments.  
Select matching or contrasting laminate and edging.



## 4 TIER CHILDREN'S SPINNER

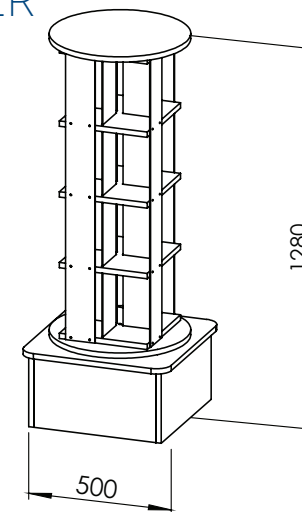
**10511**

360 degree spinner features clear acrylic panels for face out book display. Get creative by selecting contrasting spinner and plinth top colours.

220mm Internal Shelf Height

 **144** - Paperbacks up to 220mmH

 **160** - Standard size DVDs



\*Book capacities are approximate and vary depending on collections.  
DVDs based on standard size (190x135x14mm)