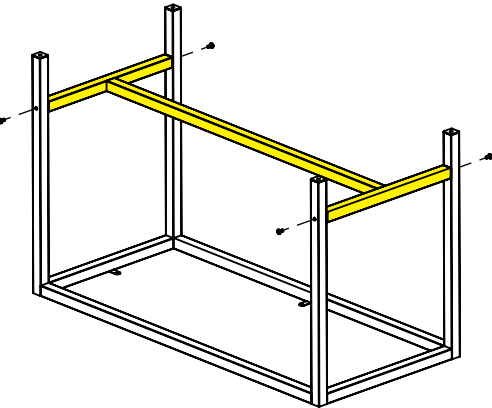


HIGH BENCH INSTALL INSTRUCTIONS



1

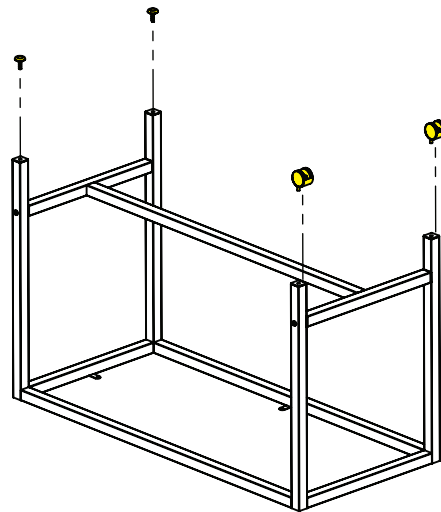
With the table frame upside down locate the I beam in place and fasten with **4x 93003820** 3/8" bolts



2

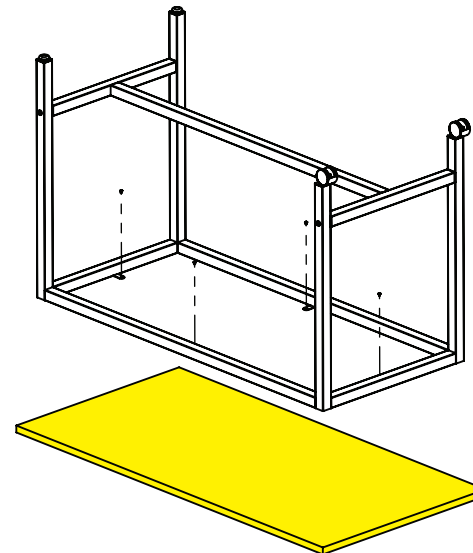
Screw in the adjustable glides and/or mobile castors into the threaded inserts until they are firmly tight.

*NOTE** Mobile options will only have castors on one side for stability.



3

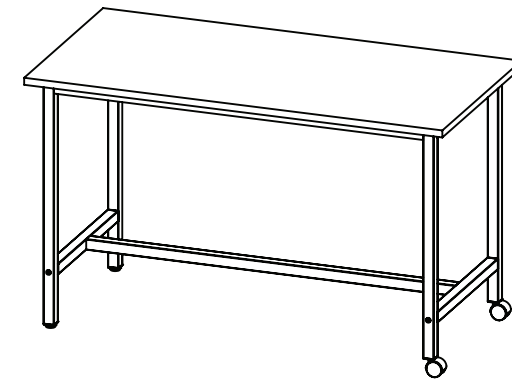
Carefully lift the frame onto the underside of the table top ensuring that it is centred by measuring an even distance from frame to edge on all sides. Screw frame into top with the supplied **10016** screw kit



4

Grab the table by the frame and carefully lift upright, adjust any glides to the necessary height to ensure the table is level.

*NOTE** Do not lift or carry the table by the top to avoid damage.



Every effort has been made to ensure that the product you purchased is of high quality and inclusive of all hardware. If you require assistance with assembly or need additional hardware, please contact us via email: support@raeco.com.au or phone **1300 727 231**

75 Rushdale Street, Knoxfield, VIC, 3180

1300 727 231

1300 727 241

support@raeco.com.au

