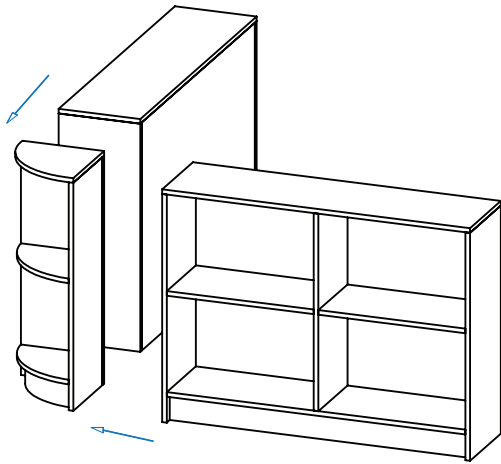
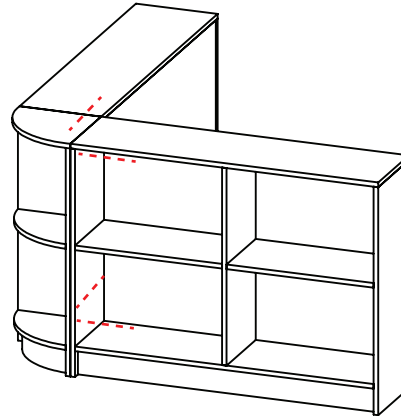


LINEA COLOSSEUM



1

Push all the units together in the desired configuration



2

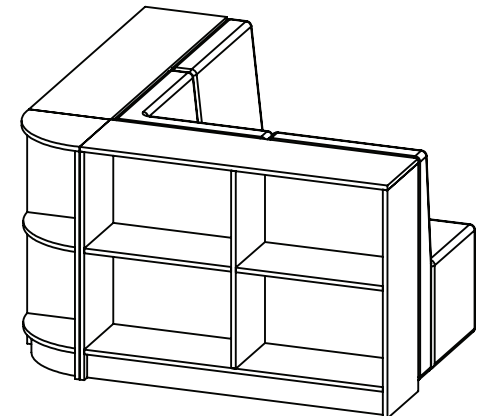
In the Top & Bottom rear coreners of each unit, drill a small 5mm hole through both adjacent units and fasten together with the provided bolts



DRILL



SCREW DRIVER



3

With the book case units fastened together, push the booth seats flush against the rear side