

MAGAZINES & NEWSPAPERS | LIFT & SLIDE METAL DOOR

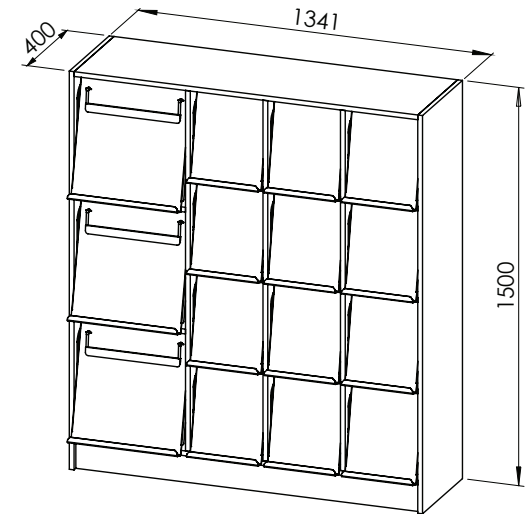
LIFT & SLIDE / 12 MAGAZINE & 3 NEWSPAPER DISPLAY



16113

Lift and retract doors showcase front faced current editions, while back-issues are neatly stowed in the pigeon holes. Cabinetry is made from 18mm thick laminate of your choice, teamed with 1.5mm thick robust steel doors.

Doors are only available in Charcoal.



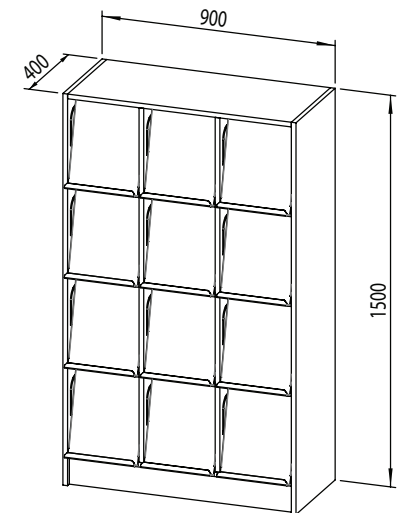
LIFT & SLIDE / 12 MAGAZINE DISPLAY

16112

16117 (Includes Optional Storage Drawer)

Lift and retract doors showcase front faced current editions, while back-issues are neatly stowed in the pigeon holes. Cabinetry is made from 18mm thick laminate of your choice, teamed with 1.5mm thick robust steel doors.

Doors are only available in Charcoal.





CHARCOAL ONLY



FINISHES



10 YEAR WARRANTY



MADE IN AUSTRALIA



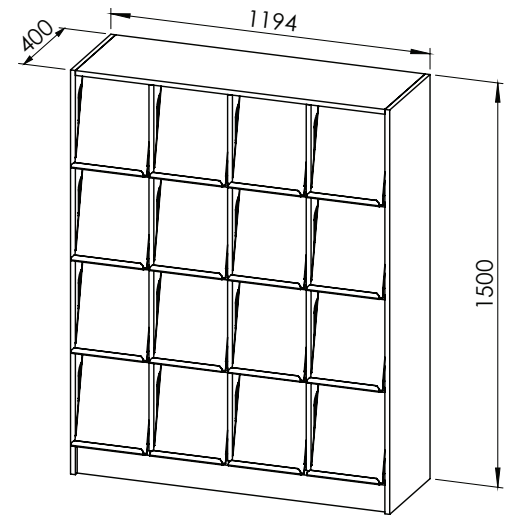
LIFT & SLIDE / 16 MAGAZINE DISPLAY

16114

16116 (Includes Optional Storage Drawer)

Lift and retract doors showcase front faced current editions, while back-issues are neatly stowed in the pigeon holes. Cabinetry is made from 18mm thick laminate of your choice, teamed with 1.5mm thick robust steel doors.

Doors are only available in Charcoal.



LIFT & SLIDE / 18 MAGAZINE DISPLAY DOUBLE SIDED MOBILE

10412

Lift and retract doors showcase front faced current editions, while back-issues are neatly stowed in the pigeon holes. Cabinetry is made from 18mm thick laminate of your choice, teamed with 1.5mm thick robust steel doors.

Doors are only available in Charcoal.

