

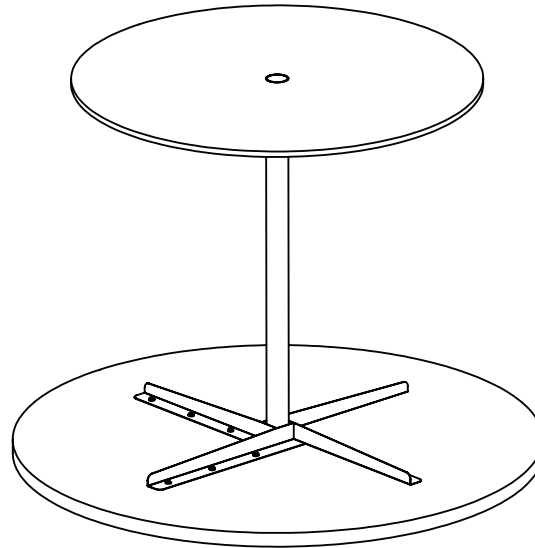
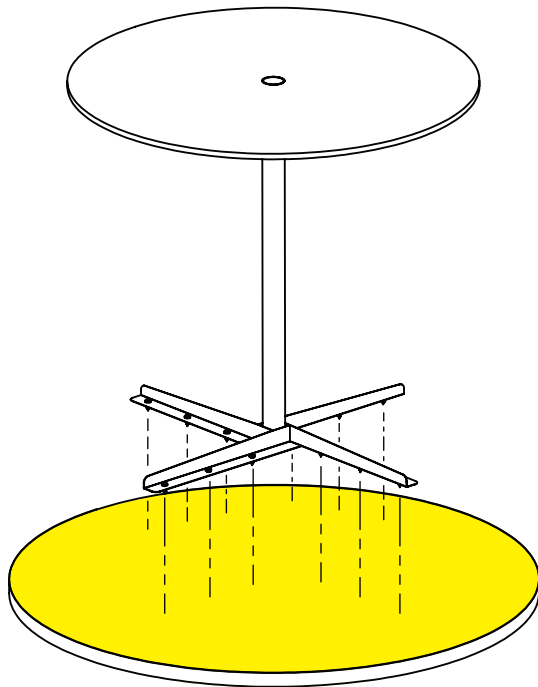
# ROUND PEDESTAL INSTALL INSTRUCTIONS

1

Place table top upside down on a flat surface. Center frame on the bottom of the table top.

2

Screw the frame into the table top with a drill using the supplied self tapping 20mm screws. Proceed to flip the table upright.



DRILL REQUIRED



75 Rushdale Street, Knoxfield, VIC, 3180

☎ 1300 727 231

☎ 1300 727 241

✉ [support@raeco.com.au](mailto:support@raeco.com.au)

Every effort has been made to ensure that the product you purchased is of high quality and inclusive of all hardware. If you require assistance with assembly or need additional hardware, please contact us via email: [support@raeco.com.au](mailto:support@raeco.com.au) or phone 1300 727 231