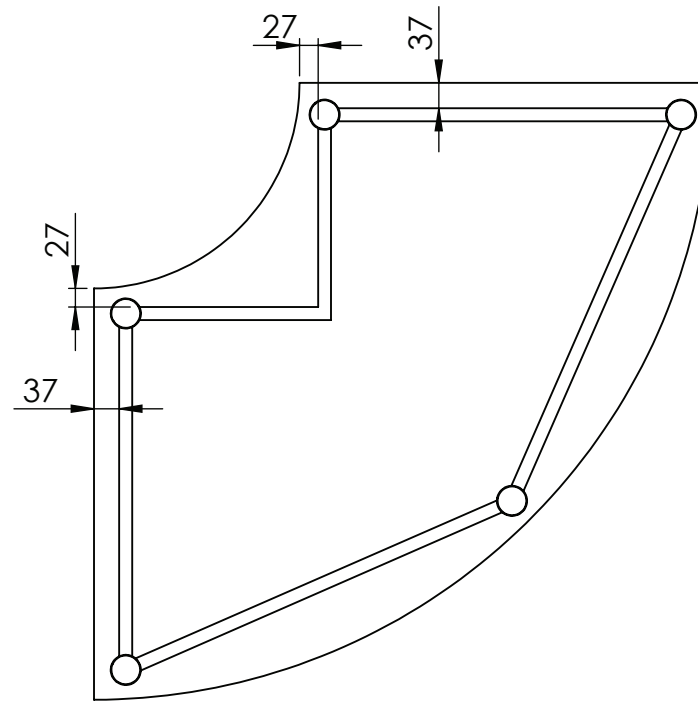
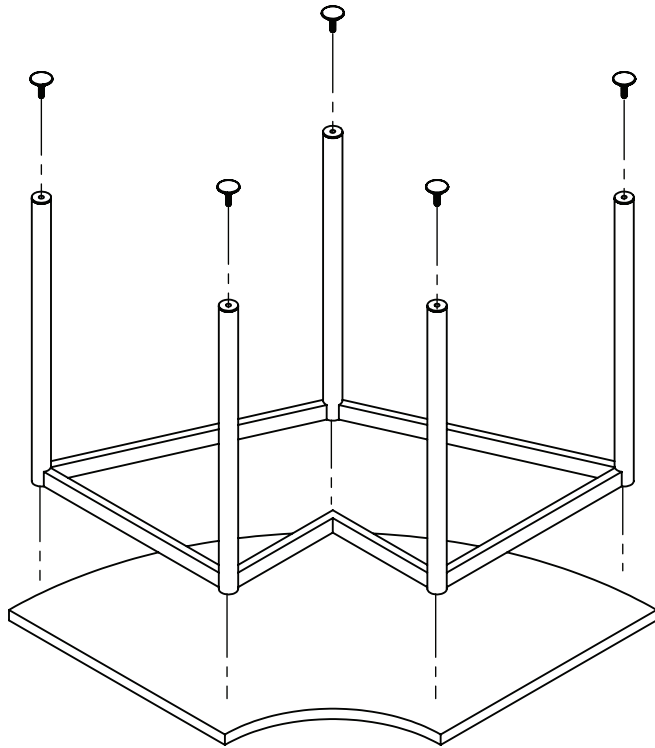


INSTALL INSTRUCTIONS

POD TABLE

STEP 1

Place table top upside down. Center frame on the bottom of the table top.



STEP 2

Measure the edge of the frame to the edge of the table top and ensure it is 37mm on both sides.

STEP 3

Screw the frame to the table top and proceed to flip the table upright.

STEP 4

Adjust glides accordingly to level the table.

