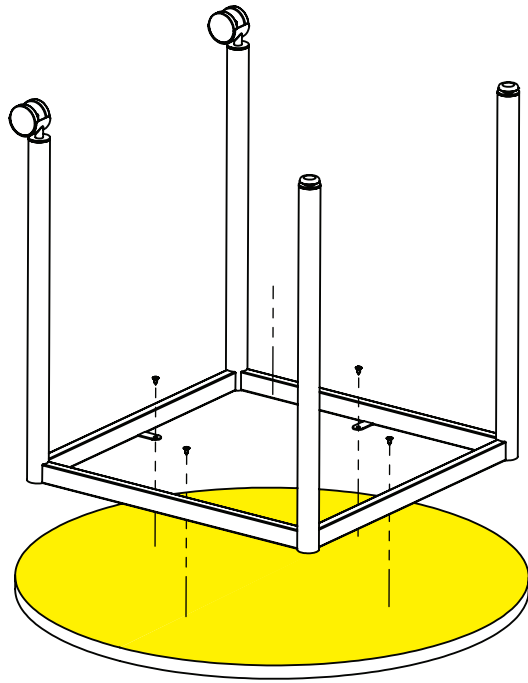
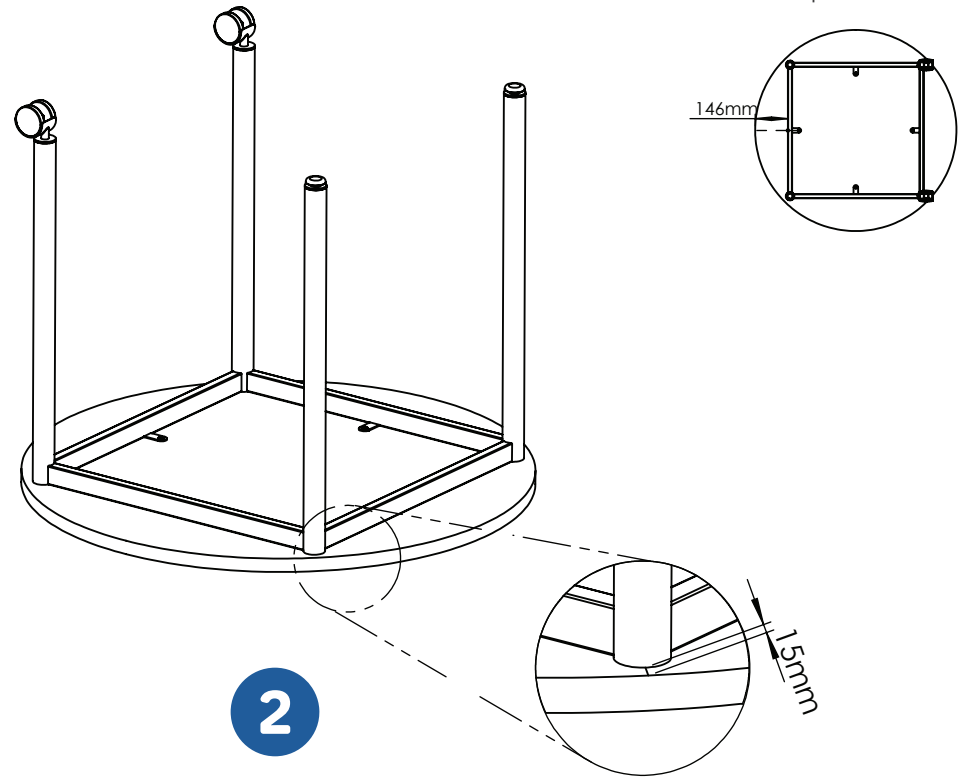


ROUND 4 LEG INSTALL INSTRUCTIONS



1

Place table top upside down on a flat surface. Center frame on the bottom of the table top and measure 146mm on each side.



2

Locate the D-tab holes and screw the frame into the table top using a drill. Proceed to flip the table upright.

Note: edge of frame and table should be 15mm on all corners.



DRILL REQUIRED



75 Rushdale Street, Knoxfield, VIC, 3180

1300 727 231

1300 727 241

support@raeco.com.au

Every effort has been made to ensure that the product you purchased is of high quality and inclusive of all hardware. If you require assistance with assembly or need additional hardware, please contact us via email: support@raeco.com.au or phone 1300 727 231