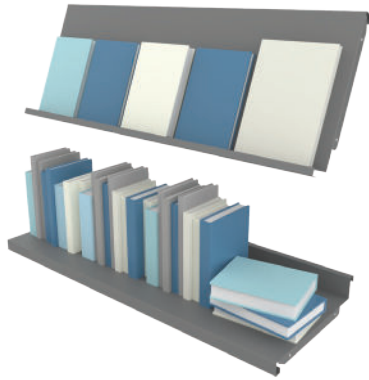




POWDER
COATS



REVERSIBLE METAL SHELF – 260MM DEEP

S99000K

Reverse the shelf to transform from flat to face out display.

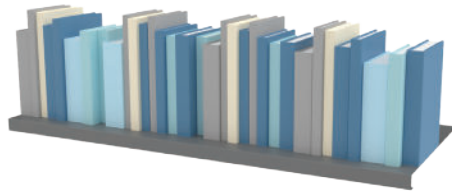
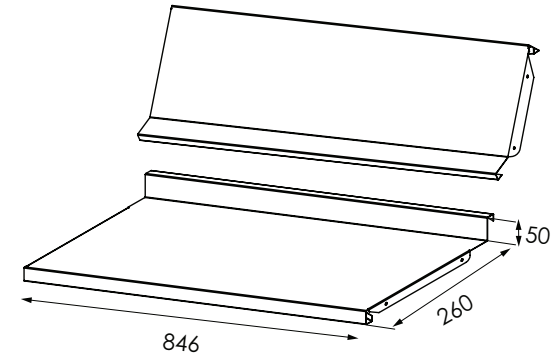
Book capacity*



5-6 - face out display
40 - spine out display



0.8 - Lineal metres



BOTTOM SHELF OVERLAY

SLMOVLL

Slides onto the bottom shelf of Expressions bays to enhance presentation.

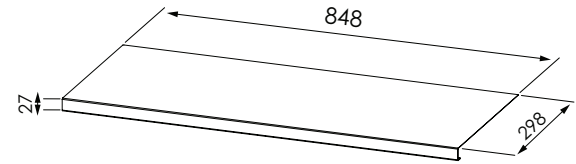
Book capacity*



5-6 - face out display
40 - spine out display



0.8 - Lineal metres



BOTTOM SHELF OVERLAY NO LIP

SLMOVL

Slides onto the bottom shelf of Expressions bays to enhance presentation. Flat finish with no overhanging lip allows the laminate finish to show through.

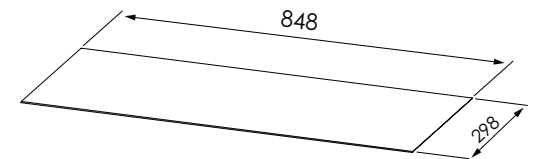
Book capacity*



5-6 - face out display
40 - spine out display



0.8 - Lineal metres



*Book capacities are approximate only and vary depending on collection