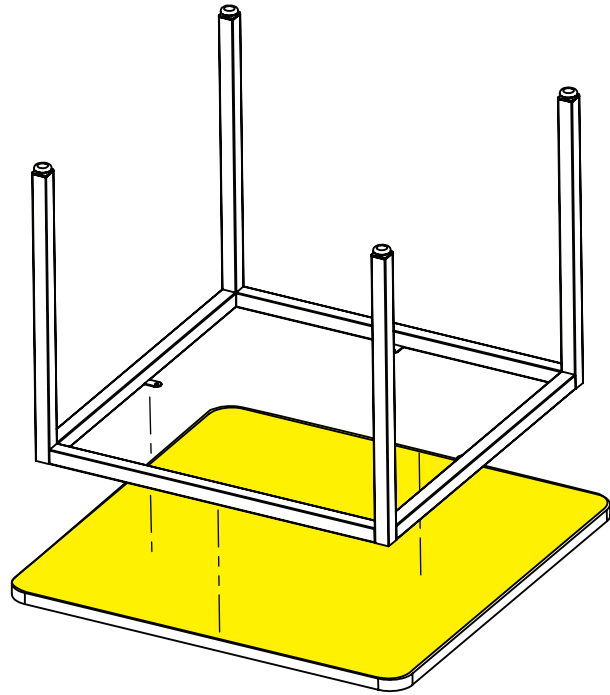
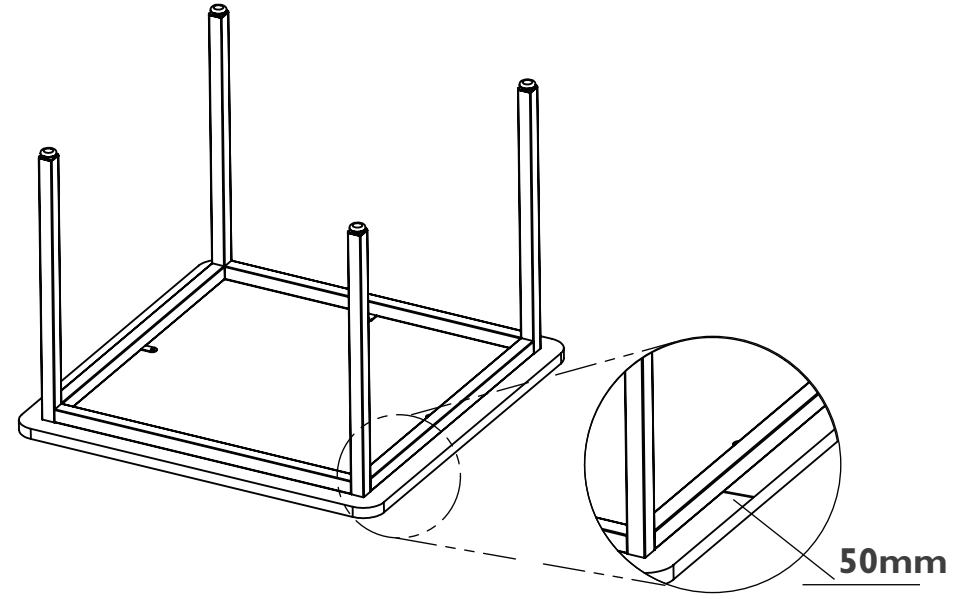


SQUARE 4 LEG INSTALL INSTRUCTIONS



1

Place table top upside down on a flat surface. Center frame on the bottom of the table top and measure 50mm on each side.



2

Locate the D-tab holes and screw the frame into the table top using a drill. Proceed to flip the table upright.

Measure **50mm** on each side from edge of frame to table.



DRILL REQUIRED

