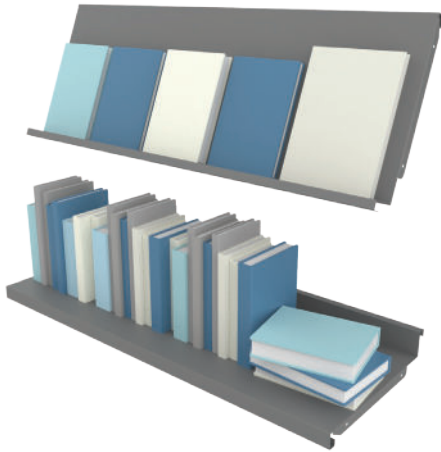




POWDER
COAT





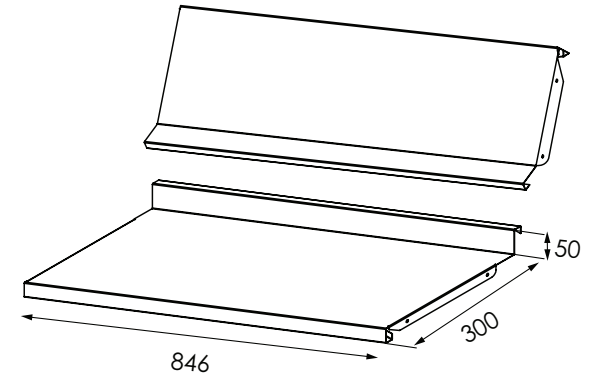
REVERSIBLE METAL SHELF – 300MM DEEP

89000K

Reverse the shelf to transform from flat to face out display. Mounting pins supplied.
To use as top display shelf, the shelf must be placed on the second pin from the back. See highlight on previous page.

Book capacity*

-  **5-6** face out display
-  **40** spine out display
-  **0.8** - Lineal metres




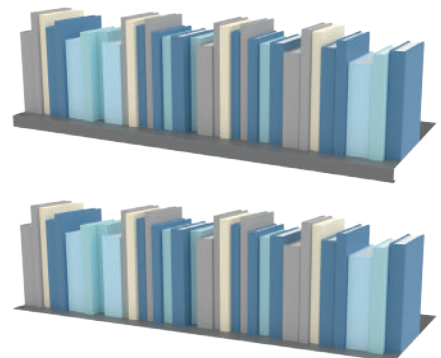
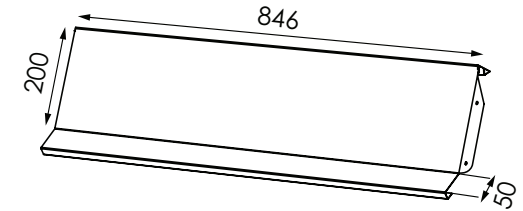
MINI DISPLAY SHELF – 200MM DEEP

712-220

Designed for smaller books and DVD display. Mounting pins supplied.

Book capacity*

-  **5-6** face out display
-  **40** spine out display
-  **0.8** - Lineal metres




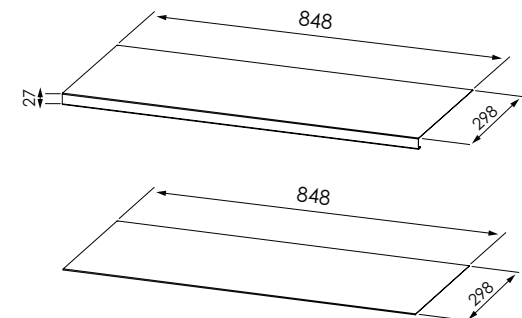
BOTTOM SHELF OVERLAY

89008 (WITH FRONT LIP)
89008NL (NO FRONT LIP)

Slides onto the bottom shelf of Expressions bays to enhance presentation. Available with overhanging lip or no overhanging lip, allowing the laminate finish to show through.

Book capacity*

-  **5-6** - face out display
-  **40** - spine out display
-  **0.8** - Lineal metres



*Book capacities are approximate only and vary depending on collection