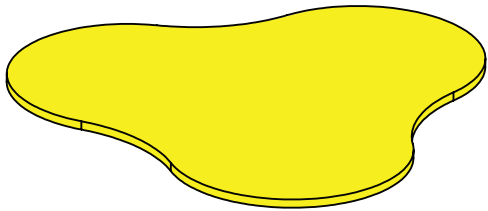


VENTITABLE INSTALL INSTRUCTIONS

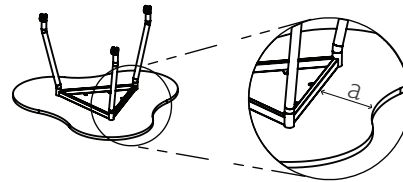
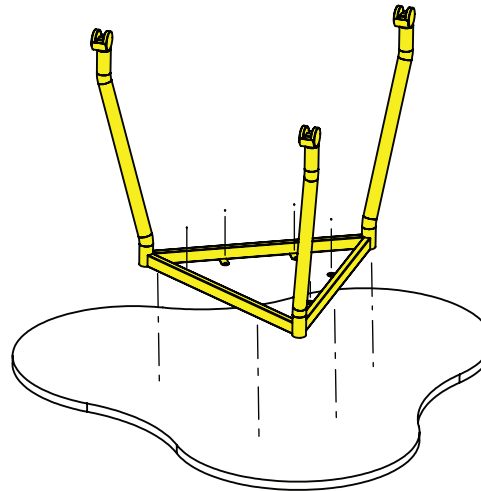
1

Place table top upside down on a flat surface.



2

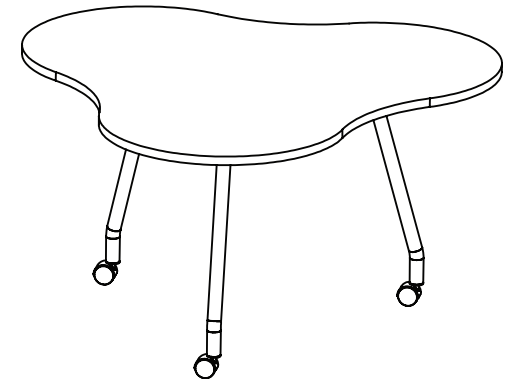
Carefully lift the frame onto the underside of the table top ensuring that it is centred by measuring an even distance from frame to edge on all sides. Screw frame into top through the D-Tabs with the supplied **I0016** screw kit.



For best results measure 270mm from the inside edge of the table top where the circle is at it's closest to the frame.

3

Grab the table by the frame and carefully lift upright, adjust any glides to the necessary height to ensure the table is level.
NOTE* Do not lift or carry the table by the top to avoid damage.



DRILL REQUIRED



75 Rushdale Street, Knoxfield, VIC, 3180

1300 727 231

1300 727 241

support@raeco.com.au

Every effort has been made to ensure that the product you purchased is of high quality and inclusive of all hardware. If you require assistance with assembly or need additional hardware, please contact us via email: support@raeco.com.au or phone 1300 727 231