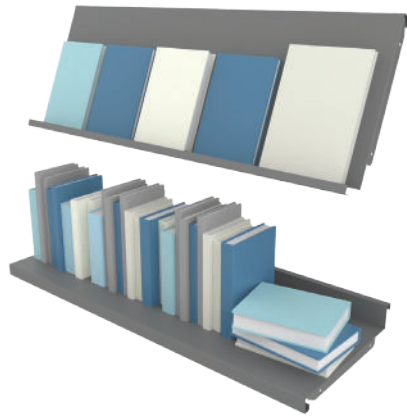




POWDER
COATS



REVERSIBLE METAL SHELF – 260MM DEEP

S99000K

Reverse the shelf to transform from flat to face out display.

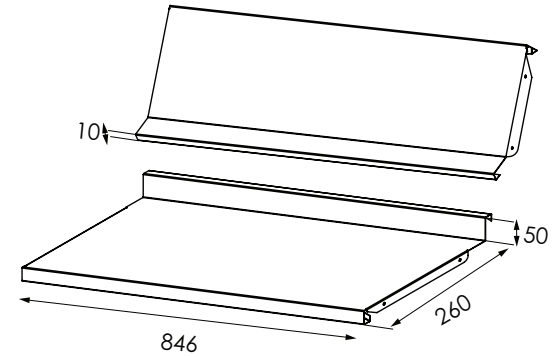


5-6 - face out display

40 - spine out display



0.8 - Lineal metres



MINI DISPLAY SHELF – 200MM DEEP

712-220

Designed for smaller books and DVD display.
Mounting pins supplied.



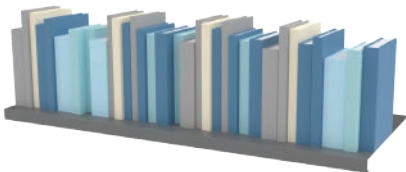
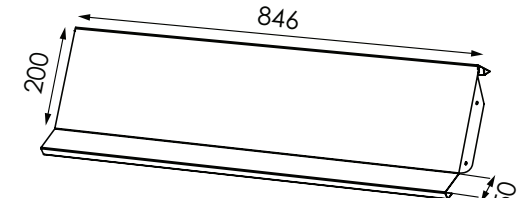
5-6 - Book capacity*



6 DVDs - Standard size



0.8 - Lineal metres



BOTTOM SHELF OVERLAY

S89060 (WITH OVERHANGING LIP)
S89061 (WITHOUT OVERHANGING LIP)

Slides onto the bottom shelf of Expressions bays to enhance presentation. Available with overhanging lip or no overhanging lip, allowing the laminate finish to show through.

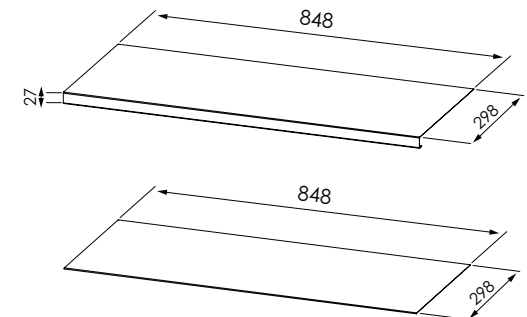


5-6 - face out display

40 - spine out display



0.8 - Lineal metres



* Book capacities are approximate only and vary depending on collection